

1

2

3

4

5

6

A

A

B

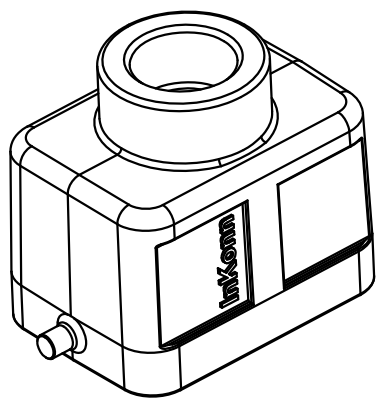
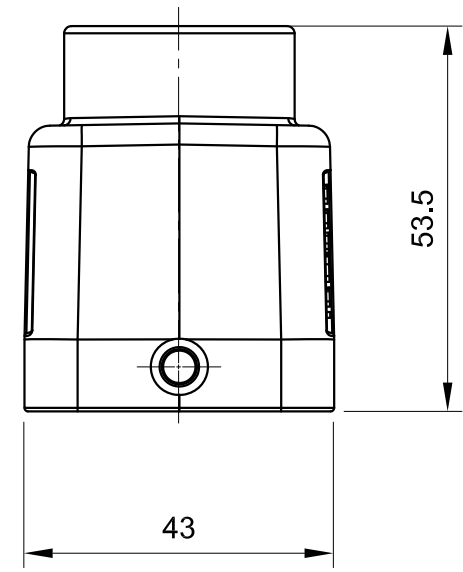
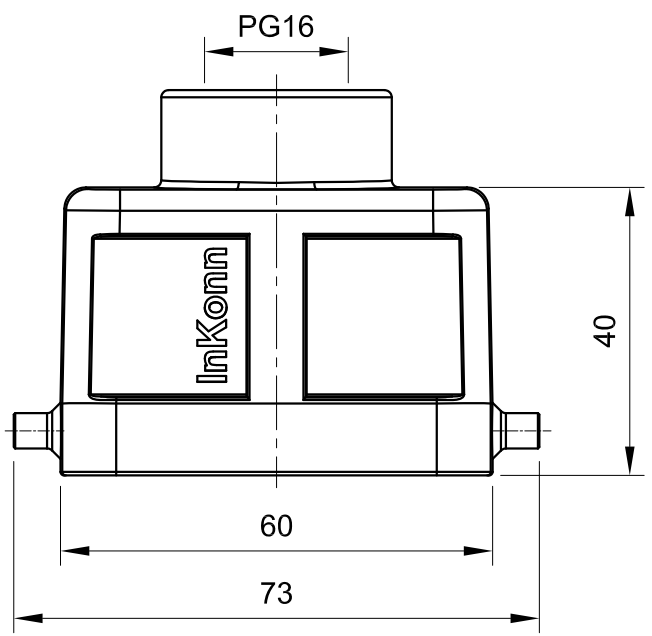
B



C

C

D

D



 <b>InKonn®</b> InKonn (Suzhou) Electric Technology Co.,Ltd.	 All Dimensions in mm Original Size DIN A4	Date 2019-07-10	Drawing No. TC8296002	Rev. A00	Scale 1:1
	Part No. 10 11 806 0002	Created by Shuxu Huang	Checked by Yiyi Luo	Page 1/1	
Type Name HB6-TE-DB-PG16					

1

2

3

4

5

6